

Materials

Scrapbooking paper
Scissors
Glue
Ribbon
Brads
Paper Flowers



Mini Gift Bag

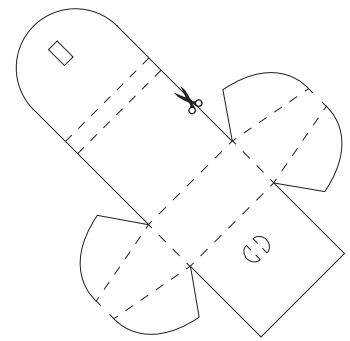
What a great gift bag idea. This cute little handbag shaped gift bag is the perfect way to give a girlie gift. Or fill with lollies for a great birthday party bag.



1: Print out the Mini Gift Bag Template. Cut around the solid lines, and fold the dotted lines.

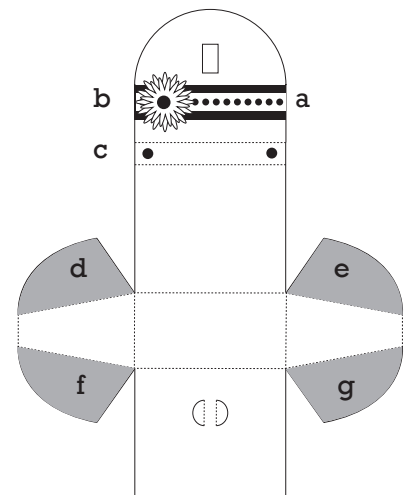
NOTE: Pattern is at A4 size, but can be photocopied or enlarged onto larger paper if you wish.

You will need to print pattern on opposite side of paper to prevent visible lines on your final Mini Heart Bag.



2: Decorate your bag-

Turn your bag onto the correct side, with the print marks downwards. With another piece of scrapbooking paper, cut a strip of paper the same width as the top of your bag, adhere and place a piece of ribbon over the top (a). Layer paper flowers with a small brad and place on the side of the ribbon (b) as shown.



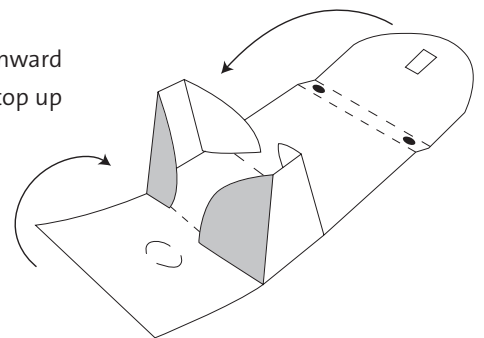
3: Hole punch 2 holes in the thinnest section on your template. These will be for your ribbon handle (c).

4: Glue side flaps of bag-

With bag still facing upwards, glue all 4 flaps as shown in grey. (d,e,f,g)

5: Assemble bag-

Turn bag over again, so the incorrect side is facing upwards. Bring the side (glued) flaps inward first, then the bring the front of the box up and press firmly. Then bring your decorated top up and over. Press firmly.



6: Tie Ribbon Handle-

Cut a piece of ribbon as long as you would like the handle to be. Tie a double knot at one end and thread, starting underneath your bag, up through one of the holes. (c in step 3). Then thread the ribbon back down through the other hole and tie double knot. Trim off any excess ribbon.



